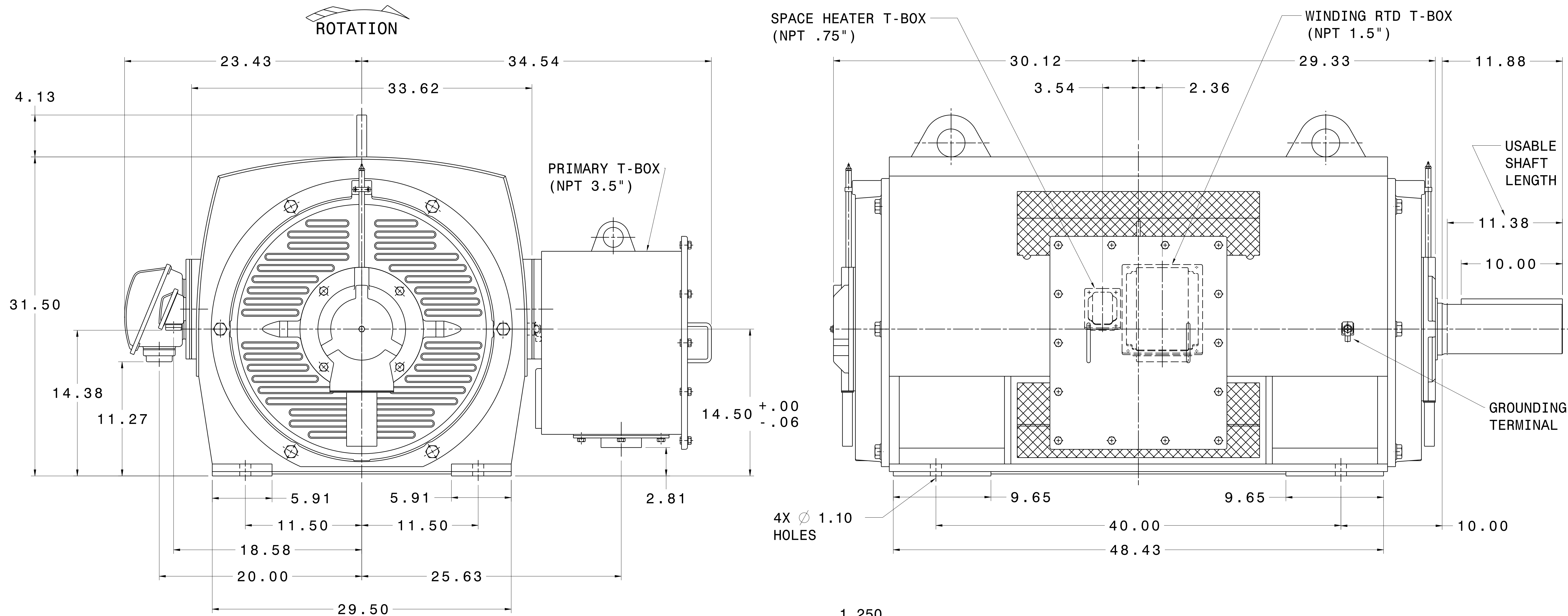


CATALOG #	ASHA	FRAME	OUTPUT		POLE	SYN. SPEED R.P.M.	VOLTAGE V.	Hz.	TIME RATING	INSULATION CLASS	SERVICE FACTOR	BEARINGS		WEIGHT LBS
			HP	kW								DE	NDE	
PG10006	AMHG	5811C	1000	745.7	6	1200	2300/4160	60	CONT.	F	1.15	NU326C3	6322	6980

WEATHER PROTECTED TYPE I. SQUIRREL CAGE ROTOR



NOTES:

1. DIMENSIONS IN INCH.
2. ENCLOSURE: IP23.
3. FOR BELT DRIVE.
4. SPACE HEATER RATED 120 VOLT, SINGLE PHASE.
5. 100 OHM PLATINUM WINDING RTD'S, 2 PER PHASE.
6. PROVISION FOR BEARING RTD MOUNTING: 2X .50" NPT PER BRACKET.

REF: 4B040L334	REV. DATA		
	TEC Westinghouse		REV NO 01
	3-PHASE INDUCTION MOTOR OUTLINE DIMENSIONS		DWG NO. PG10006
	DWN K. MILNER	072417	APPD T. FELPS 072417
TECO-WESTINGHOUSE MOTOR COMPANY		ROUND ROCK, TEXAS USA	